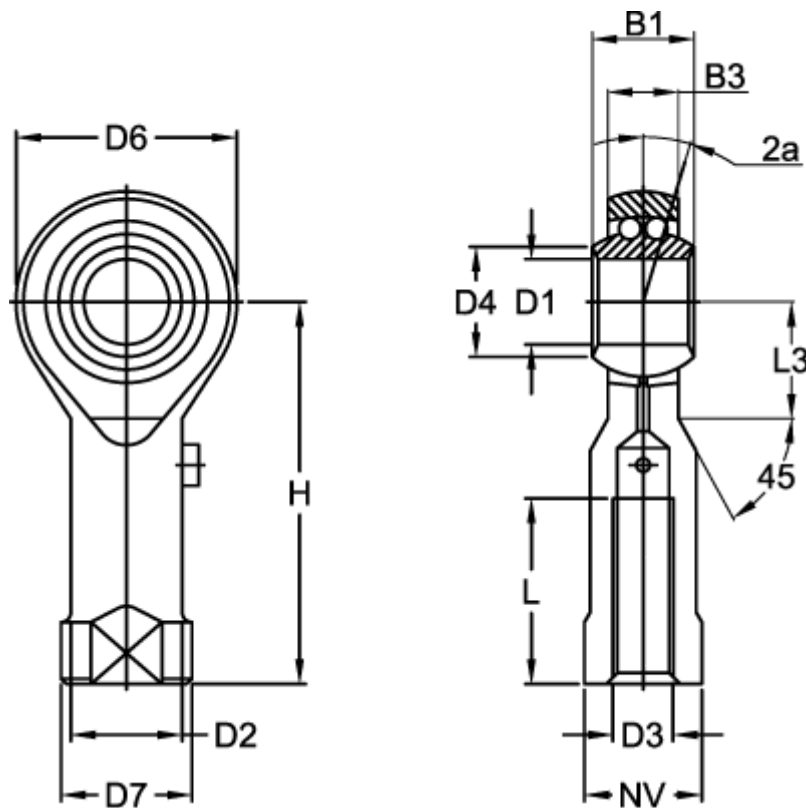


Article number: 03707008

Description: Fluro rod end BRF 8 L
threaded left with ball bearing

Measures



Angel 2a = 8.5	D7 = 16	Dynamic load C (N) = 4000
B1 = 12	H = 36	L = 16
B3 = 9.00	L3 = 12	Max rpm = 1300
D1 = 8	Static load (N) = 1000	
D2 = 12.5		
D3 = M8x1,25		
D4 = 10.5		
D6 = 24		

Weight (kg) = 0.044